

greenteQ Lever handle for framed doors DG 58.AL.SS.IN PZ 92

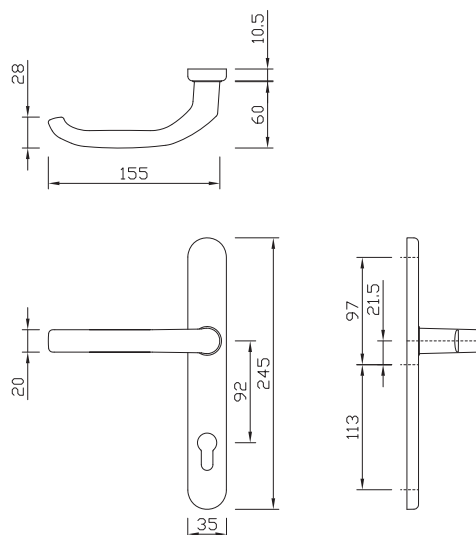
greenteQ lever handles for framed PVC-entrance-doors.

Properties:

The greenteQ lever handle for framed doors DG 58.AL.SS.IN PZ 92 is made of aluminium, used as half set for inside und has a plate of 35 mm width. The lever handle is PZ perforated with a distance 92 mm. The lever handle is fixed/pivoted

and has a spring mechanism. The greenteQ lever handle for framed doors DG 58.AL.SS.IN PZ 92 is prepared with an 8 mm square spindle. The fixing is made by means of invisible screw connection.

Product picture and technical drawing:



Technical data:

Material	Aluminium
Bearing	fixed or pivoted with spring mechanism
For square spindle	8 mm
Plate	35 x 245 mm
Height of edge	10.5 mm
Distance	92 mm PZ
Packaging unit	1 piece (without set of accessories)

Surface	VBH Item Number
silver anodized (F1)	396.263 / 0100
gold anodized (F3)	396.263 / 0300
bronze anodized (F4)	396.263 / 0400
dark silver anodized (F9)	217.270 / 9537
white (RAL 9016)	396.263 / 1600
brown (RAL 8019)	396.263 / 8019
PVD chrome polished	396.263 / 4210
PVD gold polished	396.263 / 7110

PRODUCT DATA SHEET

greenteQ

DOOR HARDWARE - Lever handle for framed doors DG 58.AL.SS.IN PZ 92

Edition 06/2015 | www.vbh.de

Instructions for use, performance and product data, and all other technical data for greenteQ products are general guidelines only. They describe the performance characteristics and material composition of our products. However, they constitute no guarantee according to § 443 BGB. Due to the various application possibilities it is the user's sole responsibility to satisfy himself that the product is adequate for his intended purpose. Any technical consultation with VBH, whether verbal, written or in the form of test samples is for your information only and is absolutely non-committal.