

Q Sliding door lever handle set HSTG 61.ER PZ

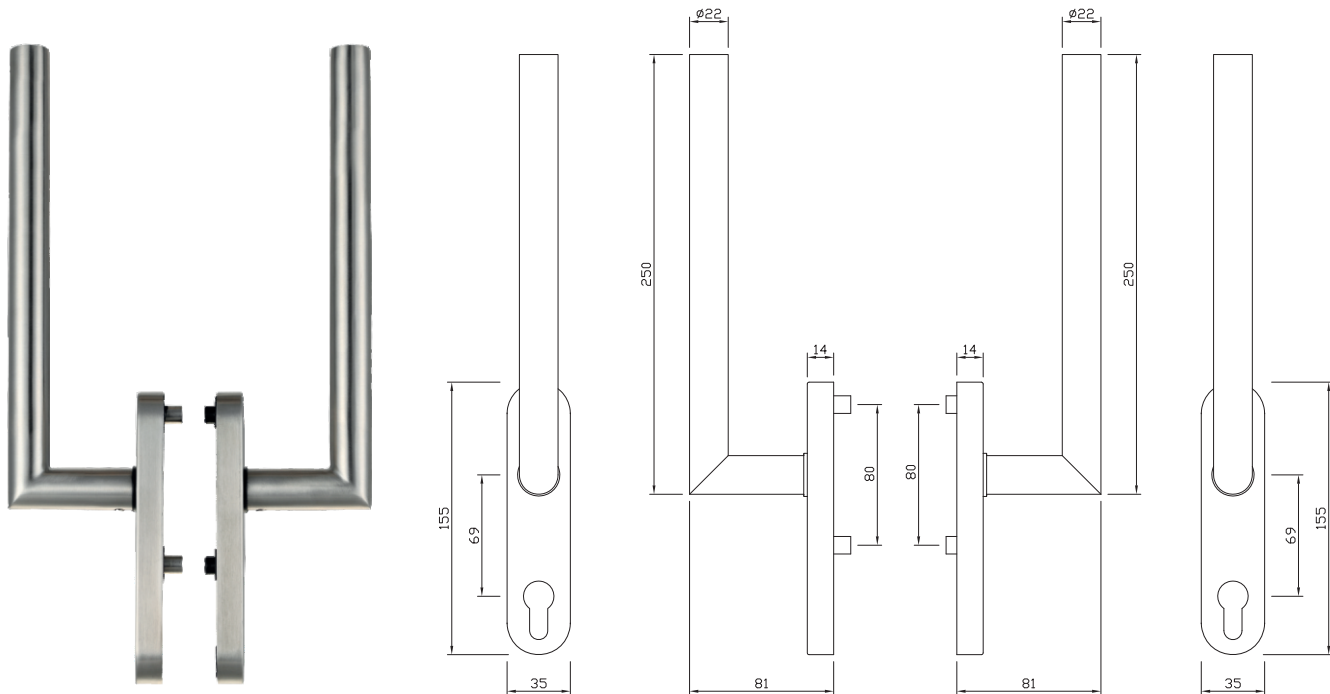
greenteQ lifting-/sliding-door lever handle for wooden- and PVC-, balcony- und terrace-doors.

Properties:

greenteQ sliding door lever handle set HSTG 61.ER PZ; with profile cylinder hole; for square spindle 10 mm; Dimension of cam 10 mm and 180° lock-in position; invisible fixing; A separate set of accessories (2 screws M6, 2 square

spindles 10 mm with different roundings) is available; stainless steel matt brushed.

Product picture and technical drawing:



Technical data:

Material	Stainless steel (steel number 1.4301)
Surface	matt brushed
Lock-in position	180°
Square spindle	for 10 mm
Diameter of cam	10 mm
Dimension of rosette	35 x 155 x 14 mm
Distance	69 mm PZ
Packaging unit	1 Set

Name	VBH Item Number
Sliding door lever handle set HSTG 61.ER PZ	399.429 / 6500

Set of accessories (2 screws M6, 2 square spindles 10 mm)	VBH Item Number
Door thickness 70 - 80 mm	399.431 / 6500
Door thickness 80 - 90 mm	399.433 / 6500

PRODUCT DATA SHEET

WINDOW HARDWARE - Sliding door lever handle set HSTG 61.ER PZ

The instructions for use, service and product details as well as other technical information for our greenteQ products are general guidelines. These serve only to describe the properties and performance features of our products and do not constitute a guarantee as per Section 443 of the BGB (German Civil Code). Due to the variety of possible applications, it is incumbent upon the user to test whether or not it is suitable for the desired application. Technical application advice provided by us verbally, in writing or through tests is for your information only and is absolutely non-binding.

greenteQ

Edition 09/2012 | www.vbh.de